

4

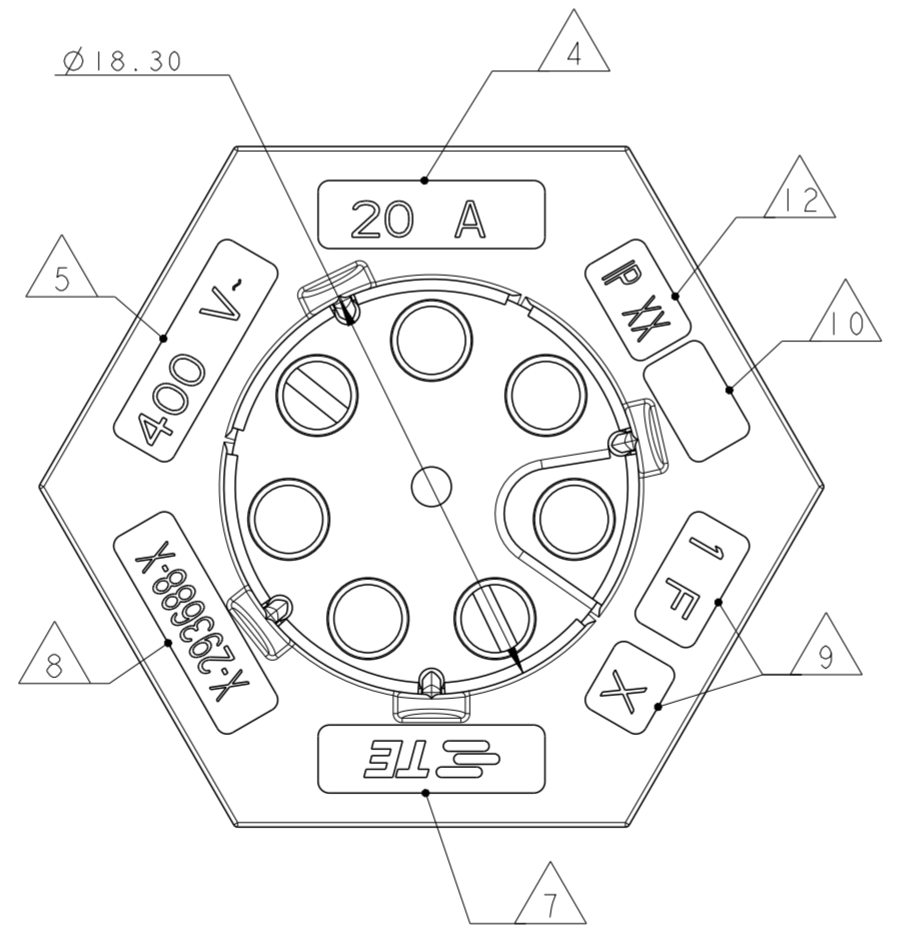
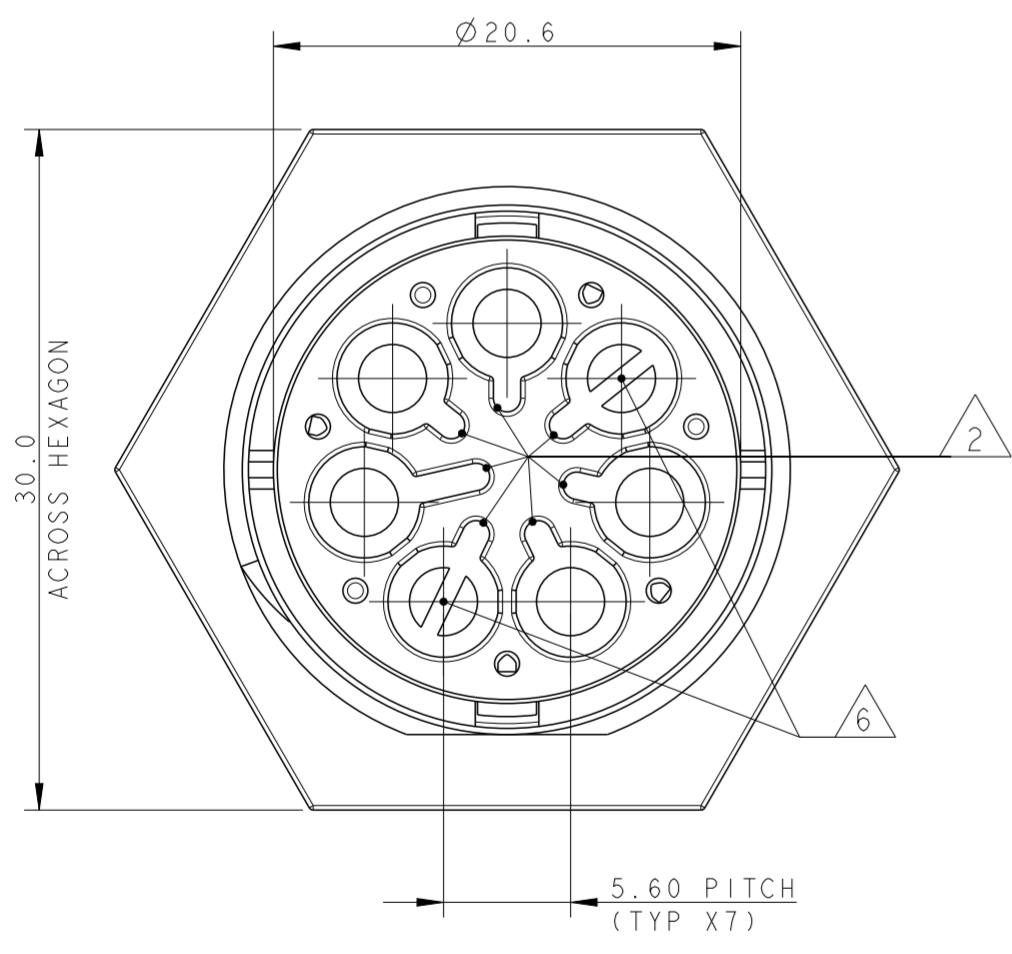
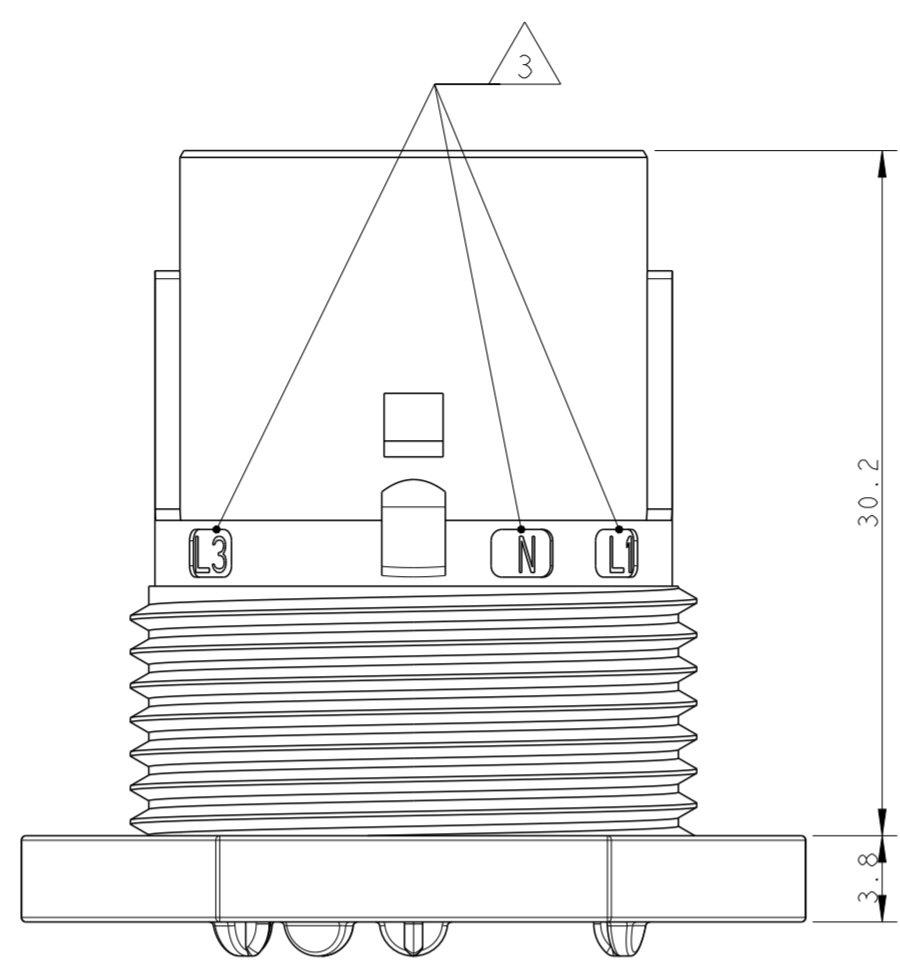
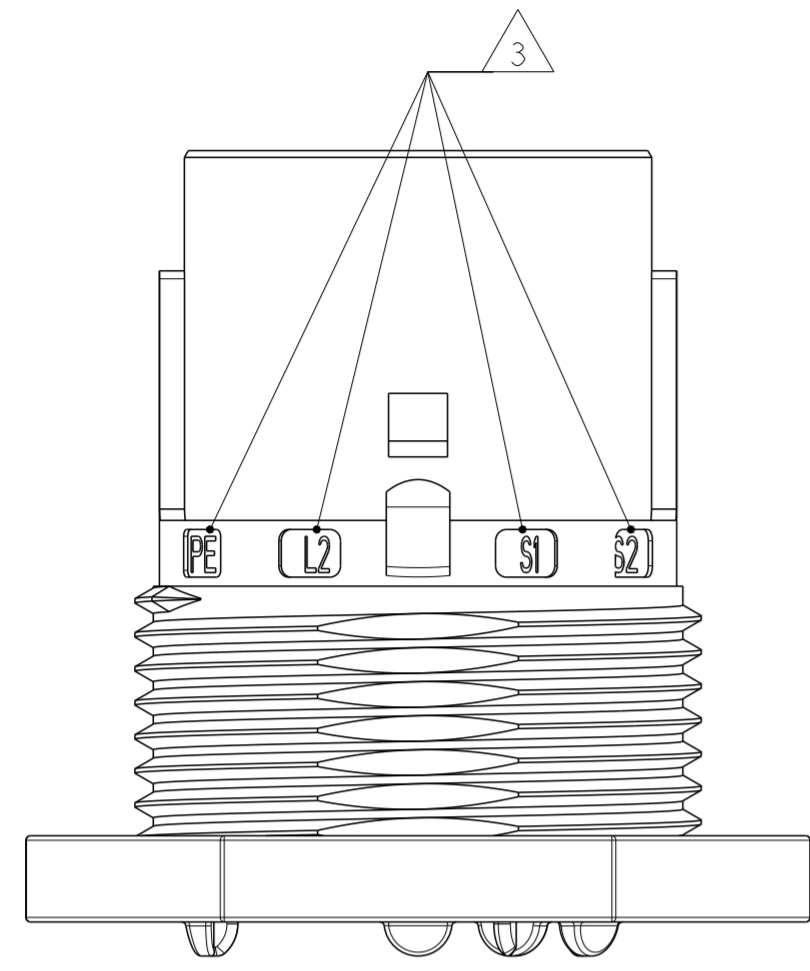
3

2

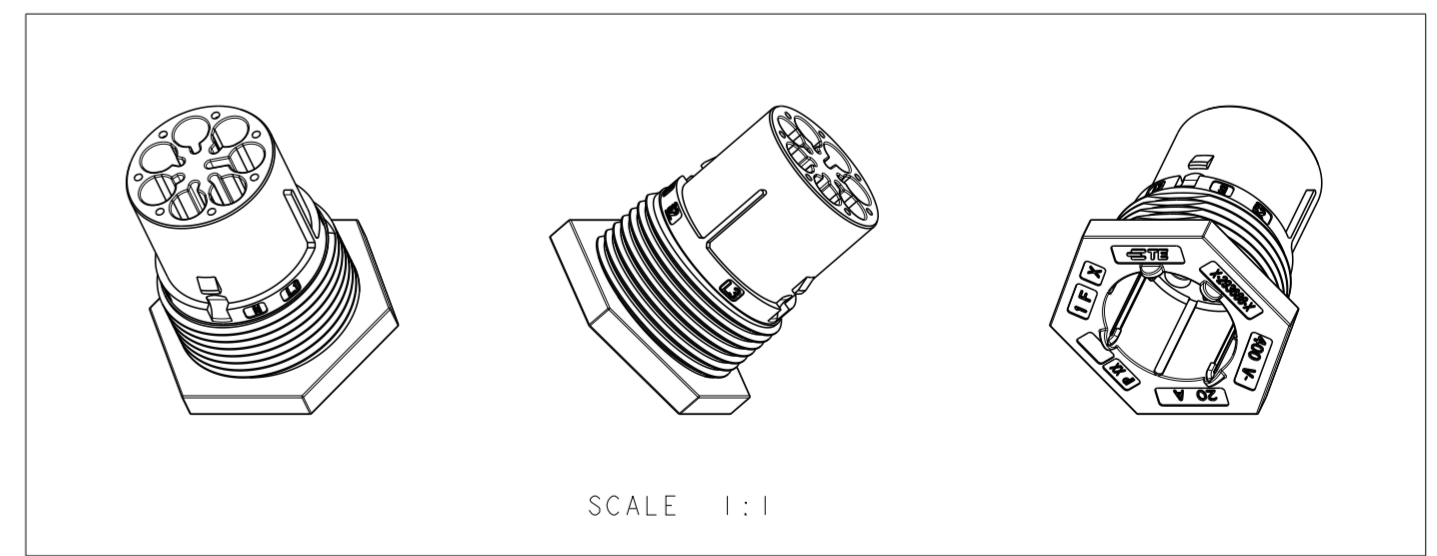
1

THIS DRAWING IS UNPUBLISHED. RELEASED FOR PUBLICATION 2011
 © COPYRIGHT 2011 ALL RIGHTS RESERVED.

LOC		DIST		REVISIONS			
P	LTR	DESCRIPTION	DATE	DWN	APVD		
4		REVISED	02MAY2013	KR	JC		
5		UPDATED	22JUL2013	MZ	JC		
6		REVISED LATCH SHAPE	09AUG2013	KR	JC		
A		PARTS RELEASED FOR PRODUCTION	13NOV2013	MZ	JC		



- NOTES:
- 1 MATERIAL: PA GF (NATURAL AND BLACK COLOUR)
 - 2 ALL POLARIZATION KEYS SHOWN FOR REF ONLY
 - 3 WAYS I.D.
 - 4 CURRENT RATING
 - 5 VOLTAGE RATING
 - 6 RIB CLOSING CAVITIES BY CHANGE OVER
 - 7 TE LOGO
 - 8 TE PART NUMBER
 - 9 DATA CODE AND CAVITY I.D.
 - 10 AREA FOR AGENCIES APPROVAL LOGO
- 11) SEE C-DRAWING 293682 (LOCKING CAP) TO GET IP 40
- 12 IP CODE
 - 13 POLARISATION KEY "TYPE D" SUITABLE FOR DALI APPLICATION



THIS DRAWING IS A CONTROLLED DOCUMENT.

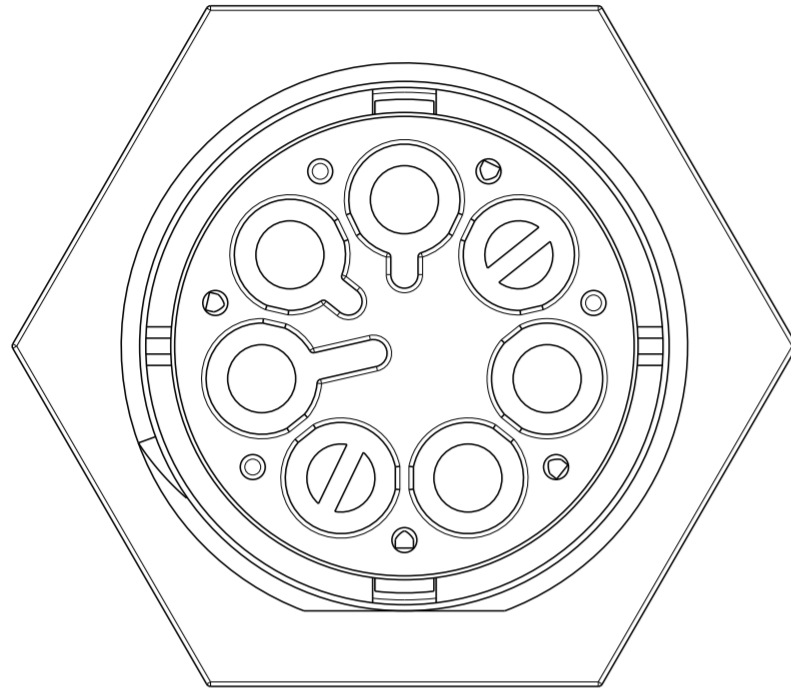
DIMENSIONS: mm 	TOLERANCES UNLESS OTHERWISE SPECIFIED: 0 PLC ±- 1 PLC ±0.3 2 PLC ±0.20 3 PLC ±- 4 PLC ±- ANGLES ±3° FINISH	DWN M. ZUCCA 01APR2011	TE Connectivity	NAME PIN HOUSING PANEL MOUNT NECTOR* M-LINE 5 POLES UNSEALED VERSION	
		CHK M. ZUCCA 01APR2011			SIZE CAGE CODE DRAWING NO
		APVD G. TURCO 01APR2011			A20779C-293688
		PRODUCT SPEC -			RESTRICTED TO -
MATERIAL -	FINISH -	WEIGHT -	Customer Drawing	SCALE 3:1 SHEET 1 OF 3 REV A	

THIS DRAWING IS UNPUBLISHED. RELEASED FOR PUBLICATION 2011
 © COPYRIGHT 2011 ALL RIGHTS RESERVED.

LOC	DIST	REVISIONS				
P	LTR	DESCRIPTION	DATE	DWN	APVD	
		SEE SHEET 1				

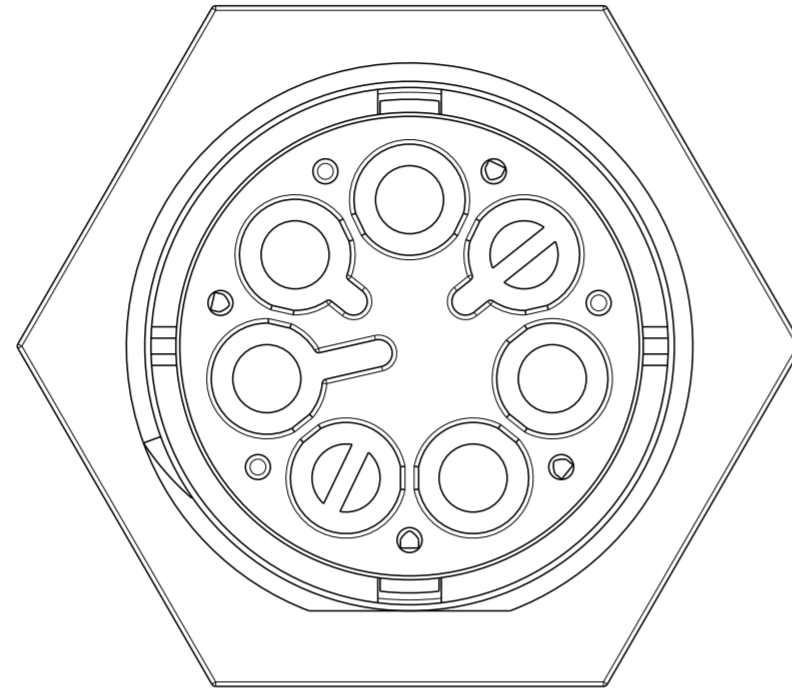
POLARIZATION TYPES

POLARIZATION TYPE "A"



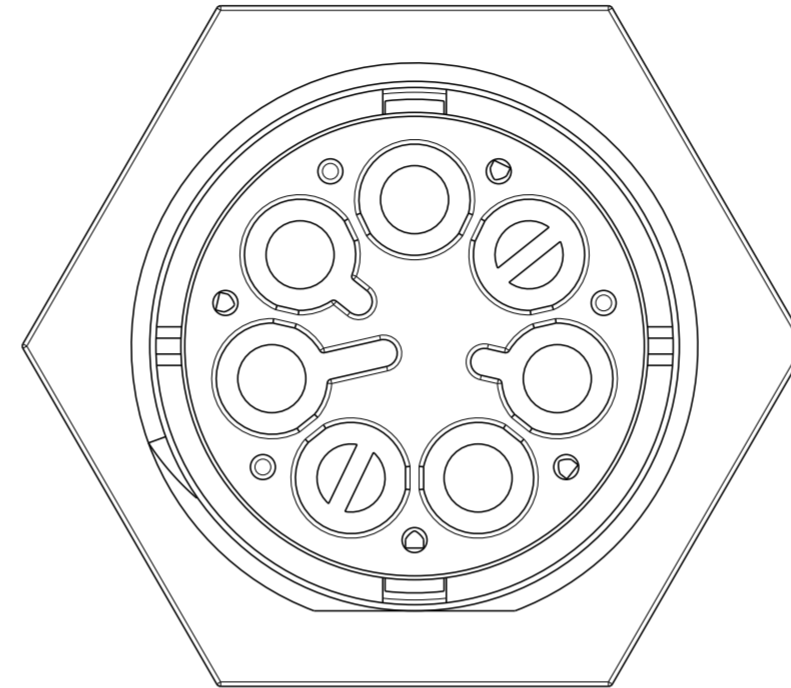
PNs 0-293688-1 AND
1-293688-1

POLARIZATION TYPE "B"



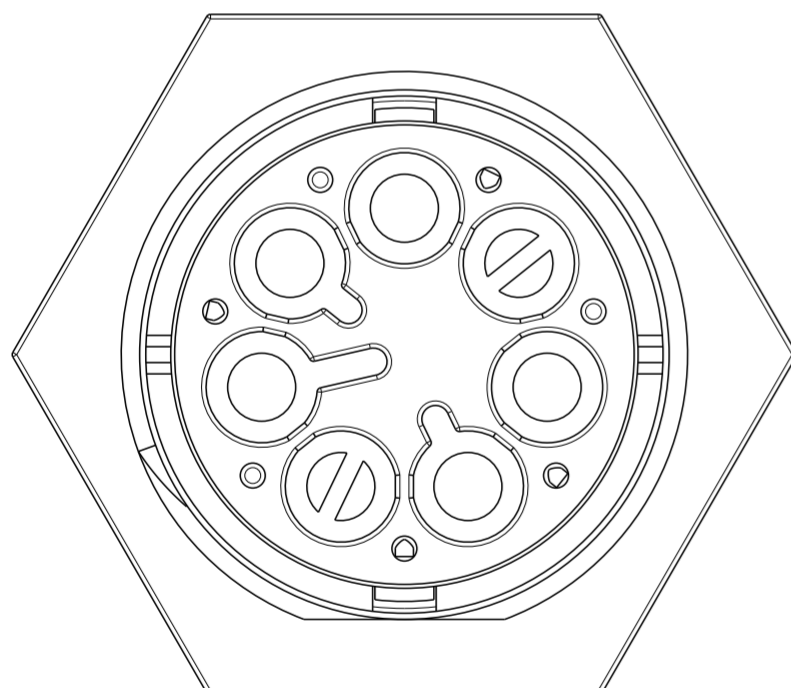
PNs 0-293688-2 AND
1-293688-2

POLARIZATION TYPE "C"



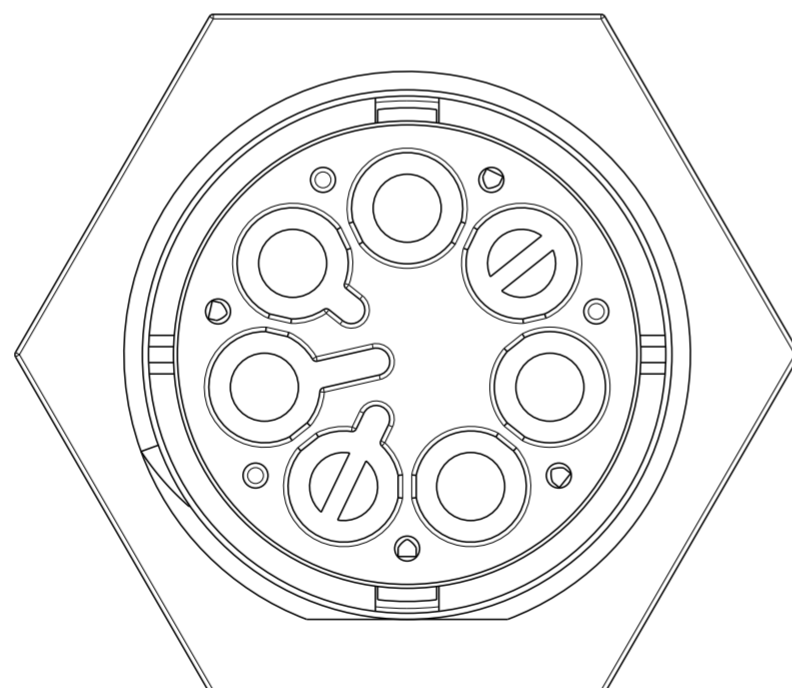
PNs 0-293688-3 AND
1-293688-3

POLARIZATION TYPE "D"



PNs 0-293688-4 AND
1-293688-4

POLARIZATION TYPE "E"



PNs 0-293688-5 AND
1-293688-5

TABLE 1

NOTE	POL. KEYING	COLOUR	DESCRIPTION	REV.	P/N
	E	BLACK	PIN HSG 5 POLES PANEL MOUNT NECTOR* M-LINE	A	1-293688-5
	D	BLACK	PIN HSG 5 POLES PANEL MOUNT NECTOR* M-LINE	A	1-293688-4
	C	BLACK	PIN HSG 5 POLES PANEL MOUNT NECTOR* M-LINE	A	1-293688-3
	B	BLACK	PIN HSG 5 POLES PANEL MOUNT NECTOR* M-LINE	A	1-293688-2
	A	BLACK	PIN HSG 5 POLES PANEL MOUNT NECTOR* M-LINE	A	1-293688-1
	E	NATURAL	PIN HSG 5 POLES PANEL MOUNT NECTOR* M-LINE	A	0-293688-5
	D	NATURAL	PIN HSG 5 POLES PANEL MOUNT NECTOR* M-LINE	A	0-293688-4
	C	NATURAL	PIN HSG 5 POLES PANEL MOUNT NECTOR* M-LINE	A	0-293688-3
	B	NATURAL	PIN HSG 5 POLES PANEL MOUNT NECTOR* M-LINE	A	0-293688-2
	A	NATURAL	PIN HSG 5 POLES PANEL MOUNT NECTOR* M-LINE	A	0-293688-1

THIS DRAWING IS A CONTROLLED DOCUMENT.

DWN: M. ZUCCA 01APR2011
 CHK: M. ZUCCA 01APR2011
 APVD: G. TURCO 01APR2011

STE TE Connectivity

NAME: PIN HOUSING PANEL MOUNT
NECTOR* M-LINE 5 POLES
UNSEALED VERSION

SIZE: A2 CAGE CODE: 0779 DRAWING NO: C-293688 RESTRICTED TO: -

MATERIAL: - DIMENSIONS: mm TOLERANCES UNLESS OTHERWISE SPECIFIED: 0 PLC ±, 1 PLC ±0.3, 2 PLC ±0.20, 3 PLC ±, 4 PLC ±, ANGLES ±3°, FINISH -

PRODUCT SPEC: - APPLICATION SPEC: - WEIGHT: -

Customer Drawing SCALE 3:1 SHEET 2 OF 3 REV A

THIS DRAWING IS UNPUBLISHED. RELEASED FOR PUBLICATION 2011
 © COPYRIGHT 2011 ALL RIGHTS RESERVED.

LOC		DIST		REVISIONS			
P	LTR	DESCRIPTION	DATE	DWN	APVD		
-	-	SEE SHEET 1	-	-	-		



PANEL/WALL SUGGESTED LAYOUT



THIS DRAWING IS A CONTROLLED DOCUMENT.		DWN M. ZUCCA	01APR2011	TE Connectivity	
DIMENSIONS: mm		CHK M. ZUCCA	01APR2011		
TOLERANCES UNLESS OTHERWISE SPECIFIED:		APVD G. TURCO	01APR2011	NAME PIN HOUSING PANEL MOUNT	
0 PLC ±		PRODUCT SPEC		NECTOR* M-LINE 5 POLES	
1 PLC ±0.3		APPLICATION SPEC		UNSEALED VERSION	
2 PLC ±0.20		WEIGHT		SIZE	CAGE CODE
3 PLC ±		Customer Drawing		A200779	C-293688
4 PLC ±		SCALE 3:1		SHEET 3	OF 3
ANGLES ±3°		RESTRICTED TO		REV A	
FINISH		-		-	